

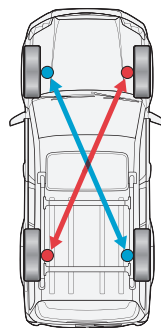
# Safety and Performance

## SELECT FEATURES

- Antilock Braking System with Electronic Brake-force Distribution and Brake Assist.
- Vehicle Stability Control, Active Traction Control System.
- Sequential shift mode, VSC cut-off switch.
- Multi-mode one touch 4WD system.
- Available Kinetic Dynamic Suspension System (Trail Edition Package only), X-REAS Sport Suspension.<sup>5</sup> (Limited Package only)
- Dual-stage driver and front passenger airbags, front seat-mounted side airbags, driver and front passenger knee airbags, roll-sensing front and rear head/side curtain airbags Supplemental Restraint System.<sup>1</sup>
- Front passenger airbag occupancy classification indicator.
- All-position 3-point lap and shoulder belts.
- Front seatbelt pre-tensioners with force limiters.
- Anchor points for child restraint seats.
- Active front headrests with whiplash protection.

## X-REAS SPORT SUSPENSION<sup>5</sup>

Designed to improve on-road handling performance and ride comfort, X-REAS<sup>5</sup> technology links each of the vehicle's shocks to its diagonal counterpart via a gas/hydraulic chamber. During cornering or travelling on a bumpy surface, the gas/hydraulic chamber moves fluid from the cross-linked shock bearing the least amount of force to the shock bearing the greatest amount of force. This helps the wheels maintain contact with the driving surface and helps lessen vehicle body sway and pitch. (Limited Package only)



Vehicles that take on difficult terrain have to be more than just tough. The 4Runner comes standard with eight airbags, including front seat-mounted side airbags and front and second-row Roll-Sensing Head/Side Curtain Airbags with cut-off switch.



4Runner SR5 V6 interior with Limited Package shown in Sand Beige Leather.



## HILL-START ASSIST CONTROL

You're stopped during your climb up a trail. What can happen next is why 4Runner comes equipped with a feature called Hill-Start Assist Control, or HAC. Without it, a vehicle can roll backward as the driver switches from the brake to the accelerator. HAC detects when the wheels roll backward, and then gently applies the brakes, helping give the driver time to engage the accelerator.

## DOWNHILL ASSIST CONTROL

Designed to help provide a controlled descent on steep inclines Downhill Assist Control, it works by setting a target vehicle speed of approximately 3-6 km/h. To help maintain that target speed, DAC sends a signal that automatically modulates 4Runner's powerful brakes.

# Toyota Quality

Quality is built right into the production process from the selection of raw materials, right down to the vehicle's final inspection. And it is the responsibility of everyone to ensure the highest quality possible on each and every vehicle. It's through Toyota's philosophy of 'Kaizen' that we are always looking for ways to continually improve. That's how we make things better.

## THE TOYOTA PRODUCTION PROCESS

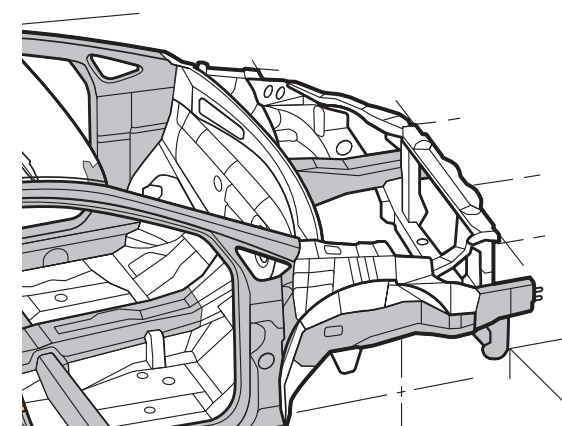
is one that is constantly evolving. With our "Just-In-Time" practice, the goal is to make certain that during the manufacturing process, only what is needed gets produced. The result is twofold: because there's no excess supply, any issues are exposed and promptly resolved to ensure that everything off of the Toyota assembly line is of exceptional quality.



**THE HUMAN TOUCH.** As impressive as the machinery is, the achievement of perfect fit and finish is also the result of continuous human touch for every step of the way.

## TOYOTA CANADA COLD RESEARCH CENTRE.

Located in Timmins, Ontario, our teams test Toyota vehicles in actual Canadian winter conditions at our cold weather testing track to ensure that they remain dependable throughout the long winter months.



For more information visit [toyota.ca](http://toyota.ca)

# 2011 Colours



070 Blizzard Pearl<sup>C</sup>  
(Limited only)



1F7 Classic Silver Metallic<sup>A,B,D</sup>



1G3 Magnetic Grey Metallic<sup>A,B,D</sup>



202 Black<sup>A,B,D</sup>



3Q3 Salsa Red Pearl<sup>A,B</sup>



8V5 Shoreline Blue Pearl<sup>A,D</sup>

## Interior colour options

<sup>A</sup> Graphite Fabric. <sup>C</sup> Sand Beige Leather.  
<sup>B</sup> Graphite Leather. <sup>D</sup> Black Leather.

Please see your Toyota Dealer for details.

# New vehicle warranty summary

NO DEDUCTIBLES – NO TRANSFER FEES

**COMPREHENSIVE COVERAGE - 3 YEARS OR 60,000 KM** This warranty includes 24 hour Roadside Assistance and other benefits, as well as coverage of repairs on any part of the vehicle that is defective in material or workmanship under normal use and maintenance. Different warranties apply to original tires.

**POWERTRAIN COMPONENTS - 5 YEARS OR 100,000 KM** This warranty covers repairs to powertrain components that are defective in material or workmanship under normal use and maintenance.

**MAJOR EMISSION CONTROL COMPONENTS - 8 YEARS OR 130,000 KM** This warranty covers repairs to specified major emission components that are defective in material or workmanship under normal use and maintenance.

**CORROSION PERFORATION - 5 YEARS UNLIMITED DISTANCE** Any sheet metal found, under normal use, to have developed a perforation from corrosion due to defects in material or workmanship.

## 2011 4Runner Features

SR5 V6	SR5 V6
<b>INTERIOR</b>	<b>SAFETY</b>
AM/FM CD/MP3/WMA Player, 8-Speakers, Audio Auxiliary Input Jack, XM® Satellite Ready Antenna w/Prewire, Antenna Pole	Dual-Stage Driver & Front Passenger Airbag Supplemental Restraint System (SRS) <sup>1</sup>
Climate Control, Rear Seat Heater Ducts, Cabin Air Filter	Front Passenger Airbag Occupancy Classification Indicator
Front Sport Seats	Front Seat-Mounted Side Airbags (SRS) <sup>1</sup>
Sport Fabric Seat Material, Fabric Door Trim	Driver & Front Passenger Knee Airbags (SRS) <sup>1</sup>
Power 8-Way Driver Seat w/Lumbar Support	Roll-Sensing Front & Rear Head/Side Curtain Airbags (SRS) <sup>1</sup>
Power 4-Way Front Passenger Seat	Active Front Headrests w/Whiplash Protection
40/20/40 Split Rear Seats w/Slide, Recline, Fold-Down Seat Back, Fold-Down Centre Armrest	Front Seatbelt Pre-Tensioners & Force Limiters
All-Position Vertically Adjustable Headrests	All-Position 3-Point Lap & Shoulder Belts
Front Headrest Tilt Adjustments	Front Seatbelt Anchor Height Adjusters
Power Windows w/Auto Up/Down	Anchor Points for Child Restraint Seats
Power Rear Hatch Window w/Auto Up & Jam Protection	Child Protector Rear Door Locks
Power Door Locks	Assist Grips
Auto-Dimming Rear View Mirror w/Digital Compass	Engine Immobilizer
Outside Temperature Gauge, Tachometer, Water Temperature Gauge, Fuel Economy Meter, Transmission Fluid Temperature Gauge	Vehicle Stability Control (VSC) Cut-Off Switch
Eco Drive Monitor w/Multi-Information Display, Trip Computer	Front Tow Hook
Dual Illuminated Vanity Mirrors	Low Washer Fluid, Door Ajar, Driver & Front Passenger Seatbelt Warning Indicators
4-Spoke Tilt & Telescopic Steering Wheel	Direct Tire Pressure Monitoring System
Integrated Garage Door Opener	
Carpeting, Carpet Floor Mats	<b>EXTERIOR</b>
Cruise Control	17" Aluminum Alloy Wheels, Wheel Locks
Digital Clock	Side Window Defoggers, Electric Rear Window Defroster w/Timer
Coat Hooks, Overhead Sunglass Storage	Rear Privacy Glass, High Solar Energy Absorbing Window Glass
Centre Console Box w/Armrest, Front & Rear Cup Holders	Dual Heated, Power Adjustable Mirrors, Foldable Mirrors
Driver & Front Passenger Seat Back Pockets, Door Map Pockets	Rear Step Bumper, Coloured Bumpers
Driver's Coin Case Compartment	Silver Painted Roof Rails
Cargo Area Tie-Down Rings, Cargo Area Side Storage Compartments	Coloured Mirrors, Coloured Door Handles
Map Lamps, Front & Rear Area Lamps, Glove Box Interior Lamp, Cargo Lamp	Coloured Rear Spoiler
Two Front & One Rear 12V Auxiliary Power Outlets	Front & Rear Splash Guards
Keyless Entry w/Rear Door Release, Illuminated Entry, Illuminated Ignition Key	Heavy Duty Tow Hitch Receiver, 4 Pin/7 Pin Trailer Wire Harness, Electronic Trailer Brake Control Prewire
	Matte Black Fender Flares
	Running Boards
	Variable Intermittent Wipers, Rear Window Intermittent Wiper/Washer, Windshield Wiper De-Icer
	Halogen Headlamps
	Auto Headlamp Cancel Function
	Fog Lamps
	Rear Clearance Sonar
	Reflector Style Halogen Headlamps

● = Standard ○ = Optional

SR5 V6
<b>PACKAGES</b>
<b>Upgrade Package:</b>
Steering Wheel Audio Control, Bluetooth® <sup>3</sup> Capability, Integrated XM® Satellite Radio, USB Audio Input, Roof-Mounted Fin Antenna, Power Moonroof, Vehicle Anti-Theft System, Auto-Dimming Rear View Mirror w/Integrated Backup Camera, Leather Seat Surfaces, Heated Driver & Front Passenger Seats, Leather-Wrapped Steering Wheel & Shift Knob, 3rd Row Flat Folding 50/50 Split Rear Bench-Seat
<b>Trail Edition Package:</b>
Steering Wheel Audio Control, Bluetooth® <sup>3</sup> Capability, Integrated XM® Satellite Radio, USB Audio Input, Roof-Mounted Fin Antenna, 400 Watt (120 Volt) Power Outlets, Power Moonroof, Vehicle Anti-Theft System, Auto-Dimming Rear View Mirror w/Integrated Backup Camera, Kinetic Dynamic Suspension System (KDSS), Crawl Control, Multi-Terrain Select, Multi-Terrain ABS, Hood Scoop, Unique Grille & Alloy Wheel, Matte Black Bumpers, Door Handles, Fog Lamps Surround, Exterior Mirrors & Roof Rails, Smoked Headlamp & Taillamp Surround, Rear Door Courtesy Lamp, Water Repellant Seat Fabric, Sliding Cargo Area Tray, Cargo Net, Tonneau Cover (Delete Downhill Assist Control (DAC), Rear Clearance Sonar, Optitron Instrumentation Gauges)
<b>Limited Package:</b>
Upgrade Package plus: Multi-Mode One Touch 4WD System, P245/60R20, 20" Aluminum Alloy Wheels, Full Size Spare Tire w/Alloy Wheel, Push Button Start, Smart Key System, X-REAS Sport Suspension, <sup>5</sup> JBL® AM/FM CD/MP3/WMA 6-Disc Changer, 15-Speakers, Rear Subwoofer, Dual-Zone Automatic Climate Control, Integrated Signal Lamps, Puddle Lamps, Front Door Handle Touch Sensor Lock/Unlock, Automatic Headlamp System, Limited Chrome Front Grille, Chrome Fog Lamps Surround, Chrome Finished Door Handles, Rear Trunk Chrome Trim, Colour Fender Flares, Roof Rails w/Chrome Trim, Front & Rear Underbody Spoilers, Unique Running Boards (Delete Rear Clearance Sonar)
<b>Limited Package w/Navigation:</b>
Limited Package plus: DVD Based Navigation System* w/Backup Camera, XM® Real-Time Traffic Capability, In-Dash 4-Disc CD Changer (Delete 6-Disc Changer)

## 2011 4Runner Specifications

SR5 V6	SR5 V6
<b>MECHANICAL</b>	<b>DIMENSIONS</b>
<b>Engine</b>	<b>Length</b>
4.0 Litre, V6, DOHC, 24-Valve, Dual Variable Valve Timing w/Intelligence (Dual VVT-i), Sequential Multiport Electronic Fuel Injection	4820 [189.8]
	<b>Width</b>
	1925 [75.8]
<b>Compression Ratio</b>	<b>Height (Unloaded)</b>
10.4:1	1780 [70.1]
	<b>Wheelbase</b>
<b>Horsepower</b>	2790 [109.8]
270 hp [201 kW] @ 5600 rpm	<b>Track</b>
	<b>Front:</b> 1605 [63.2]
<b>Torque</b>	<b>Rear:</b> 1605 [63.2]
278 lb.ft. [377 N.m.] @ 4400 rpm	<b>Seating Capacity</b>
	5
<b>Suspension</b>	7
<b>Front:</b> Coil Spring, Independent, Double Wishbone Suspension w/Gas-Filled Shock Absorbers & Stabilizer Bar	<b>Headroom</b>
	<b>Front:</b> 998 [39.3]
<b>Rear:</b> Coil Spring, Independent, 4-Link w/Lateral Rod Rear Suspension & Stabilizer Bar	<b>Rear:</b> 980 [38.6]
	<b>Front:</b> 979 [38.6] w/Moonroof
<b>Front/Rear:</b> Kinetic Dynamic Suspension System (KDSS)	<b>Rear:</b> 979 [38.6] w/Moonroof
<b>Front/Rear:</b> X-REAS Sport Suspension <sup>5</sup>	<b>3rd Row:</b> 871 [34.3]
	<b>Legroom</b>
<b>Drivetrain</b>	<b>Front:</b> 1058 [41.7]
Part Time 4WD System, Vehicle Stability Control (VSC) w/Active Traction Control (A-TRAC), Downhill Assist Control (DAC), Hill-Start Assist Control (HAC), Automatic Disconnecting Differential, Fuel Tank & Transfer Case Protector Plates	<b>Rear:</b> 836 [32.9]
	<b>3rd Row:</b> 744 [29.3]
Crawl Control, Multi-Terrain Select	<b>Shoulder Room</b>
Multi-Mode One Touch 4WD System	<b>Front:</b> 1468 [57.8]
	<b>Rear:</b> 1468 [57.8]
<b>Transmission</b>	<b>3rd Row:</b> 1465 [57.7]
5-Speed, Super Electronically Controlled Automatic Transmission (Super ECT), Overdrive, Lock-Up Torque Converter, Transmission Cooler	<b>Ground Clearance</b>
	244 [9.6]
<b>Brakes</b>	<b>Approach Angle (degrees)</b>
Power-Assisted, 4-Wheel Ventilated Discs, Antilock Braking System (ABS) w/Electronic Brake-force Distribution (EBD) & Brake Assist (BA)	25
Multi-Terrain ABS	33 (Trail Edition Package)
	<b>Departure Angle (degrees)</b>
<b>Steering</b>	24
Speed Sensing Variable Flow Control Power-Assisted w/Rack & Pinion	26 (Trail Edition Package)
<b>Tires</b>	
P265/70R17, All-Season Radials, Full Size Spare w/Steel Wheel	
P245/60R20, All-Season Radials, Full Size Spare w/Alloy Wheel	

SR5 V6	SR5 V6
<b>CURB WEIGHT</b>	<b>kg (lb.)</b>
	2095 [4619]
<b>TOWING CAPACITY</b>	<b>kg (lb.)</b>
	2268 [5000]
<b>CARGO CAPACITY</b>	<b>m<sup>3</sup> (cu.ft.)</b>
	2.5 [89.7] Behind Front Seats
	1.3 [46.3] Behind Rear Seats
	0.25 [9.0] Behind 3rd Row Seats
<b>TURNING CIRCLE</b>	<b>m (ft.)</b>
	11.4 [37.4]
<b>FUEL CAPACITY</b>	<b>litres (gal)</b>
	80 [21.2]
<b>FUEL CONSUMPTION RATING<sup>2</sup></b>	
	<b>L/100 km</b> <b>mpg (imperial gallon)</b>
City/Highway/Combined Automatic	12.6/9.2/11.1 22/31/25

<sup>1</sup>All Toyota vehicles shown in this brochure, have Supplemental Restraint Systems (SRS) which, depending on the model, may include driver and front passenger airbags, a driver's knee airbag, front seat-mounted side airbags or side curtain airbags. For important safety information about the Supplemental Restraint System in a vehicle, please see the Owner's Manual or contact your local Toyota Dealer.

<sup>2</sup>These estimates are based on the Government of Canada's approved criteria and testing methods. The actual fuel consumption of this vehicle may vary. Refer to the Government of Canada publication *EnerGuide Fuel Consumption Guide*.

<sup>3</sup>Toyota tests certain phones for compatibility with Bluetooth technology. Some vehicles equipped with Bluetooth technology are available with bilingual capability. Note that the recommendation of Toyota is not a warranty of the performance for any phone and that some problems may occur with any type of handset based on the service coverage available in your area. Please see your Toyota Dealer for details.

<sup>4</sup>The Toyota DVD based Navigation system is designed to assist in locating an address or point of interest. Discrepancies may be encountered between the system and your actual location. Changes in street names, road closures, traffic flow or other road system changes may affect the accuracy of the mapping software. Rely on your common sense to decide whether or not to follow a specified route. Detailed coverage is not available in every city. Optional periodic geographic updates are available at an additional cost. The Navigational systems in some vehicles are available with bilingual capability. Please see your Navigation system Owner's Manual and your Toyota Dealer for further details.

<sup>5</sup>X-REAS Sport Suspension does not increase payload.