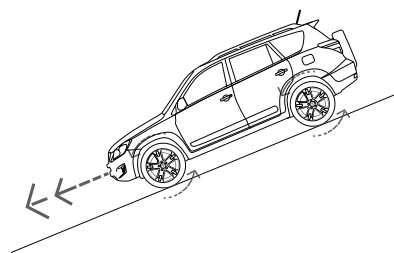


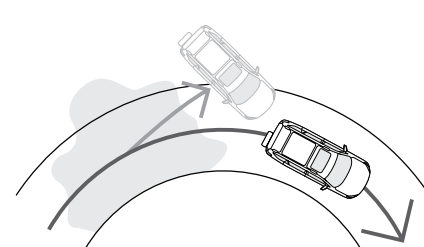
Safety and Performance Features

- Antilock Braking System with Electronic Brake-force Distribution and Brake Assist.
- Vehicle Stability Control, Traction Control System.
- 2WD – Front Engine/Front Wheel Drive, 4WD – Active Torque Control.
- Hill-Start Assist Control and Downhill Assist Control [V6 models only].
- Dual-stage driver and front passenger airbags, front seat-mounted side airbags, roll-sensing front and rear head/side curtain airbags Supplemental Restraint System.¹
- Front passenger airbag occupancy classification indicator.
- All-position 3-point lap and shoulder belts.
- Front seatbelt pre-tensioners with force limiters.
- Anchor points for child restraint seats.
- Active front headrests with whiplash protection.

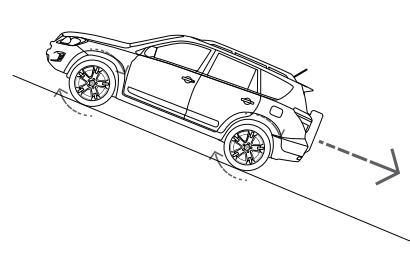
RAV4 power is generated by either a 179 hp 2.5-litre 4-cylinder engine or the powerful 269 hp 3.5-litre V6. Both engines are Dual VVT-i with sequential multiport electronic fuel injection.



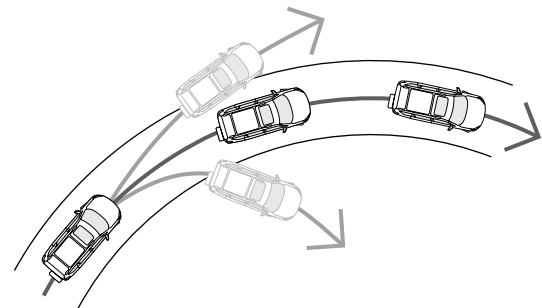
DOWNHILL ASSIST CONTROL Available DAC sets a target speed of approximately 6-9 km/h on steep declines. The system applies the brakes, helping eliminate wheel-locking for a more controlled descent.



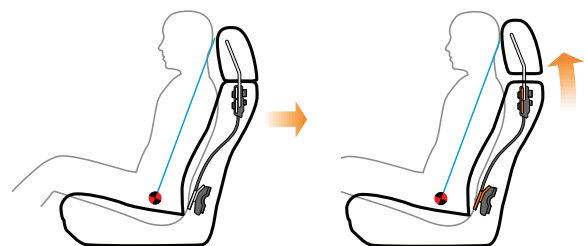
TRACTION CONTROL If a wheel loses traction, TRAC limits engine output and/or applies the brake to the spinning wheel, and transfers torque to the wheel that's still got traction.



HILL START ASSIST CONTROL Available HAC helps ensure a smooth start on inclines, braking for 2-3 seconds to help prevent vehicle rollback as the driver switches from the brake pedal to the accelerator.



ENHANCED VEHICLE STABILITY CONTROL To help improve control in situations that could cause a vehicle to slip sideways while cornering, RAV4 uses Enhanced VSC. It adjusts engine power, braking and steering assist torque to help the driver steer in the direction that provides the greatest control.



ACTIVE FRONT HEADREST In the event of certain rear-end collisions, a mechanism in the lumbar region of the front seats triggers the movement of the headrests up and forward to help position the headrests to better support the occupant's head.

Toyota Quality

Quality is built right into the production process from the selection of raw materials, right down to the vehicle's final inspection. And it is the responsibility of everyone to ensure the highest quality possible on each and every vehicle. It's through Toyota's philosophy of 'Kaizen' that we are always looking for ways to continually improve. That's how we make things better.

THE TOYOTA PRODUCTION PROCESS is one that is constantly evolving. With our "Just-In-Time" practice, the goal is to make certain that during the manufacturing process, only what is needed gets produced. The result is twofold: because there's no excess supply, any issues are exposed and promptly resolved to ensure that everything off of the Toyota assembly line is of exceptional quality.



THE HUMAN TOUCH. As impressive as the machinery is, the achievement of perfect fit and finish is also the result of continuous human touch for every step of the way.

TOYOTA CANADA COLD RESEARCH CENTRE. Located in Timmins, Ontario, our teams test Toyota vehicles in actual Canadian winter conditions at our cold weather testing track to ensure that they remain dependable throughout the long winter months.



For more information visit toyota.ca

2011 Colours



040 Alpine White^{A,C,F}



070 Blizzard Pearl^{A,D}
(Limited only)



1F7 Classic Silver Metallic^{A,C,D,F}



1G3 Magnetic Grey Metallic^{C,F}
(Sport only)



202 Black^{A,C,D,F}



3R3 Barcelona Red Metallic^{A,C,D,F}



4T3 Pyrite Mica^{B,E}
(Base, Limited only)



6T3 Black Forest Pearl^{B,C,E,F}



8R3 Pacific Blue Metallic^{A,C,D,F}

Interior colour options

^A Ash Fabric.

^B Sand Beige Fabric.

^C Dark Charcoal Fabric
(Sport models only).

^D Ash Leather.

^E Sand Beige Leather.

^F Dark Charcoal Leather
(Sport models only).

Please see your Toyota Dealer for details.

New vehicle warranty summary

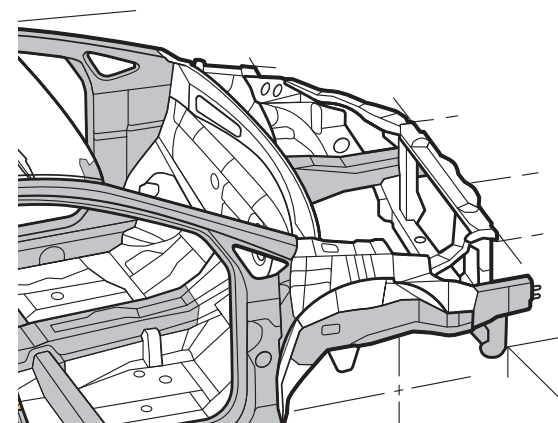
NO DEDUCTIBLES – NO TRANSFER FEES

COMPREHENSIVE COVERAGE - 3 YEARS OR 60,000 KM This warranty includes 24 hour Roadside Assistance and other benefits, as well as coverage of repairs on any part of the vehicle that is defective in material or workmanship under normal use and maintenance. Different warranties apply to original tires.

POWERTRAIN COMPONENTS - 5 YEARS OR 100,000 KM This warranty covers repairs to powertrain components that are defective in material or workmanship under normal use and maintenance.

MAJOR EMISSION CONTROL COMPONENTS - 8 YEARS OR 130,000 KM This warranty covers repairs to specified major emission components that are defective in material or workmanship under normal use and maintenance.

CORROSION PERFORATION - 5 YEARS UNLIMITED DISTANCE Any sheet metal found, under normal use, to have developed a perforation from corrosion due to defects in material or workmanship.



2011 RAV4 2WD Features

	Base 2WD	Sport 2WD	Limited 2WD
INTERIOR			
AM/FM CD/MP3/WMA Player, 6-Speakers, Audio Auxiliary Input Jack, Auto Sound Levelizer (ASL), Roof-Mounted Antenna	●	●	–
AM/FM CD/MP3/WMA 6-Disc Changer, 6-Speakers, Audio Auxiliary Input Jack, Auto Sound Levelizer (ASL), Steering Wheel Audio Controls, Integrated XM® Satellite Radio, Roof-Mounted Antenna	–	–	●
Air Conditioning	●	●	–
Cabin Air Filter, Rear Seat Heater Ducts	●	●	●
Dual Zone Automatic Climate Control, Soft Touch Heater Controls	–	–	●
Driver & Front Passenger Bucket Seats	●	●	●
Full Fabric Seat Material	●	–	–
Premium Cloth Seat Material	–	●	●
Driver Seat w/Recline, Fore/Aft, Driver Cushion Height Adjustments	●	●	–
Power 8-Way Driver Seat w/Recline, Vertical, Fore/Aft, Lumbar Support, Driver Cushion Height Adjustments	–	–	●
Passenger Seat w/Recline, Fore/Aft Adjustments	●	●	●
60/40 Split Rear Bench Seat w/Fold-Down Seat Back, Fold-Down Centre Armrest, Rear Seat Remote Release in Cargo Area	●	●	●
All-Position Vertically Adjustable Headrests	●	●	●
Power Door Locks	●	●	●
Power Windows w/Driver Side Auto Up/Down	●	●	●
Optitron Gauges	●	●	●
Tachometer, Outside Temperature Gauge, Water Temperature Gauge, Dual Trip Odometer, Fuel Economy Meter	●	●	●
Dual Vanity Mirrors	●	●	●
Auto-Dimming Rear View Mirror w/Integrated Backup Camera	–	–	●
3-Spoke Telescopic, Tilt Steering Wheel	●	●	●
Leather-Wrapped Steering Wheel & Shift Knob	–	–	●
Dark Silver Brushed Metallic Trim	●	●	●
Interior Chrome Trim	–	–	●
Tonneau Cover	–	●	●
Carpeting, Carpet Floor Mats	●	●	●
Push Button Start, Smart Key System	–	–	●
Cruise Control	●	●	●
Digital Clock	●	●	●
Front & Rear Cup Holders	●	●	●

● = Standard ○ = Optional – = Not Available

	Base 2WD	Sport 2WD	Limited 2WD
INTERIOR (cont'd)			
Coat Hooks	●	●	●
Centre Console Box w/Armrest	●	●	●
Upper & Lower Glove Box	●	●	●
Driver & Front Passenger Seat Back Pockets	●	●	●
Door Map Pockets	●	●	●
Cargo Area Tie-Down Rings	●	●	●
Large Capacity Storage Box Under Rear Deck	●	●	●
Overhead Sunglass Storage	●	●	●
Back Door Cargo Net Pocket	●	●	●
Map Lamps	●	●	●
Cargo Lamp	●	●	●
Accessory Power Outlet, Retained Accessory Power	●	●	●
Keyless Entry	●	●	●
Illuminated Entry, Illuminated Ignition Key	●	●	●
SAFETY			
Dual-Stage Driver & Front Passenger Airbag Supplemental Restraint System (SRS) ¹	●	●	●
Front Passenger Airbag Occupancy Classification Indicator	●	●	●
Front Seat-Mounted Side Airbags (SRS) ²	●	●	●
Roll-Sensing Front & Rear Head/Side Curtain Airbags (SRS) ³	●	●	●
Active Front Headrests w/Whiplash Protection	●	●	●
Front Seatbelt Pre-Tensioners & Force Limiters	●	●	●
All-Position 3-Point Lap & Shoulder Belts	●	●	●
Front Seatbelt Anchor Height Adjusters	●	●	●
Anchor Points for Child Restraint Seats	●	●	●
Child Protector Rear Door Locks	●	●	●
Engine Immobilizer	●	●	●
Assist Grips	●	●	●
Remote Fuel Lid Release	●	●	●
Fuel Cap Hanger	●	●	●
Door Ajar, Low Washer Fluid, Low Fuel, ATM Oil Temp, Driver & Front Passenger Seatbelt Warning Indicators	●	●	●

	Base 2WD	Sport 2WD	Limited 2WD
EXTERIOR			
16" Steel Wheels, Full Wheel Covers	●	–	–
17" Aluminum Alloy Wheels, Wheel Locks	–	–	●
18" Aluminum Alloy Wheels, Wheel Locks	–	●	–
Side Window Defoggers	●	●	●
Electric Rear Window Defroster w/Timer	●	●	●
High Solar Energy Absorbing Window Glass	●	●	●
Rear Privacy Glass	–	●	●
Coloured Mirrors, Front & Rear Splash Guards	●	●	●
Roof Rails, Roof Rail Crossbars	–	●	●
Coloured Door Handles, Fender Flares	–	●	●
Power Moonroof w/Sunshade	–	●	●
Rear Bumper Protector	●	●	●
Colour-Keyed Moulded Spare Tire Cover	●	●	–
Colour-Keyed Hard-Shell Spare Tire Cover	–	–	●
Rear Spoiler	●	–	●
Sport Badges, Sport Grade Rear Spoiler	–	●	–
Limited Front Grille & Badges	–	–	●
Dual Heated, Power Adjustable Mirrors, Integrated Signal Lamps	●	●	●
Variable Intermittent Wipers, Wiper De-Icer	●	●	●
Rear Window Intermittent Wiper/Washer	●	●	●
Halogen Headlamps, LED Brake Lamps	●	●	●
Automatic Headlamp Cancel Function	●	–	–
Automatic Headlamp System	–	●	●
Black Headlamp Surround	–	●	–
Fog Lamps	–	●	●
PACKAGE			
Touring Package: 17" Styled Steel Wheels, 6-Disc CD Changer, Steering Wheel Audio Controls, Integrated XM® Satellite Radio, Premium Cloth Seat Material, Rear Privacy Glass, Tonneau Cover, Power Moonroof w/Sunshade, Coloured Door Handles, Roof Rails, Roof Rail Crossbars	○	–	–

2011 RAV4 2WD Specifications

	Base 2WD	Sport 2WD	Limited 2WD
MECHANICAL			
Engine 2.5 Litre, 4-Cylinder, DOHC, 16-Valve, Dual Variable Valve Timing w/intelligence (Dual VVT-), Sequential Multiport Electronic Fuel Injection	●	●	●
Compression Ratio 10.4:1	●	●	●
Horsepower 179 hp [134 kW] @ 6000 rpm	●	●	●
Torque 172 lb.ft. [235 N.m.] @ 4000 rpm	●	●	●
Suspension Front: Independent MacPherson Strut w/Stabilizer Bar & Hydraulic Shock Absorbers Rear: Double-Wishbone Coil Spring Rear Suspension w/Trailing Arms & Hydraulic Shock Absorbers & Stabilizer Bar Front/Rear: Sport Tuned Suspension	●	●	●
Drivetrain Front Engine/Front Wheel Drive Vehicle Stability Control (VSC), Traction Control System (TRAC), Automatic Limited Slip Rear Differential	●	●	●
Transmission 4-Speed, Automatic, Overdrive, Super Electronically Controlled Transmission (Super ECT), Gate-Type Shifter, Transmission Cooler	●	●	●
Brakes Power-Assisted, Ventilated Front Discs, Solid Rear Discs, Antilock Braking System (ABS) w/Electronic Brake-force Distribution (EBD) & Brake Assist (BA)	●	●	●
Steering Electric Rack & Pinion w/Variable Power Assist	●	●	●
Tires P215/70R16, All-Season Radials, Full-Size Spare w/Steel Wheel P225/65R17, All-Season Radials, Full-Size Spare w/Steel Wheel P235/55R18, All-Season Radials, Full-Size Spare w/Alloy Wheel	●	–	–

	Base 2WD	Sport 2WD	Limited 2WD
DIMENSIONS			
Length	4620 [181.9]	●	●
Width	1815 [71.5]	●	–
	1855 [73.0]	–	●
Height (Unloaded)	1685 [66.3]	●	–
	1745 [68.7]	–	●
Wheelbase	2660 [104.7]	●	●
Track	Front: 1560 [61.4] Rear: 1560 [61.4]	●	●
Seating Capacity	5	●	●
Headroom	Front: 1037 [40.8] Rear: 1008 [39.7] Front: 1002 [39.4] w/Moonroof Rear: 1008 [39.7] w/Moonroof	●	–
Legroom	Front: 1062 [41.8] Rear: 973 [38.3]	●	●
Shoulder Room	Front: 1450 [57.1] Rear: 1405 [55.3]	●	●
Ground Clearance	190 [7.5]	●	●

	Base 2WD	Sport 2WD	Limited 2WD
CURB WEIGHT	kg (lb.)		
	1524 [3360]	●	–
	1558 [3435]	–	●
	1560 [3439]	–	●
TOWING CAPACITY	kg (lb.)		
	680 [1500]	●	●
PAYLOAD³	kg (lb.)		
	375 [825]	●	●
CARGO CAPACITY	m³ (cu.ft.)		
	2.074 [73.2] Behind Front Seats	●	●
	1.015 [35.9] Behind Rear Seats	●	●
TURNING CIRCLE	m (ft.)		
	11.4 [37.4]	●	●
FUEL CAPACITY	litres (gal)		
	60 [13.2]	●	●
FUEL CONSUMPTION RATING²	L/100 km	mpg (imperial gallon)	
	City/Highway/Combined		
4-Cylinder	9.4/6.9/8.3	30/41/34	●

